

Product data sheet

Automation technology - Data transmission

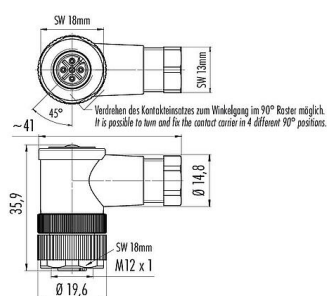


Product description	Female angled connector, 6.0-8.0 mm, screw clamp, IP67, UL
Area	M12-B series 715
Part no.	99 0430 165 04

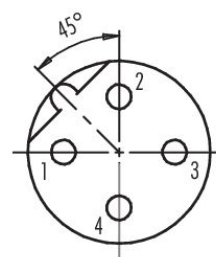
Illustration



Scale drawing



Contact arrangement (Plug-in side)



You can find the component part drawing and assembly instructions on the next page.

Technical data

General features

Part no.	99 0430 165 04
Connector design	Female angled connector
Type standard	DIN EN 61076-2-101
Version	Connector socket angled
Connector locking system	screw
Termination	screw clamp
Degree of protection	IP67
Cable outlet	6.0-8.0 mm
Twistability	90° (4 coding options)
Mechanical operation	> 500 Mating cycles
Weight (g)	15.97
Customs tariff number	85369010
Country of Origin	DE

Electrical parameters

Rated voltage	250 V
Rated voltage UL	2467
Rated impulse voltage	2500 V
Rated current	4.0 A
Pollution degree	3
Overvoltage category	II
Insulating material group	III

Product data sheet

Automation technology - Data transmission



Product description	Female angled connector, 6.0-8.0 mm, screw clamp, IP67, UL
-	-
Area	M12-B series 715
Part no.	99 0430 165 04

Material

Housing material	PA
Contact body material	PA
Contact material	CuZn (brass)
Contact plating	CuSnZn (Optalloy)
REACH SVHC	CAS 96-45-7 (Imidazolidine-2-thione) CAS 7439-92-1 (Lead)
SCIP number	f7d6ec01-5cd7-42f6-844a-d7918aa8c505

Authorization/approvals

Approvals	UL
-----------	----

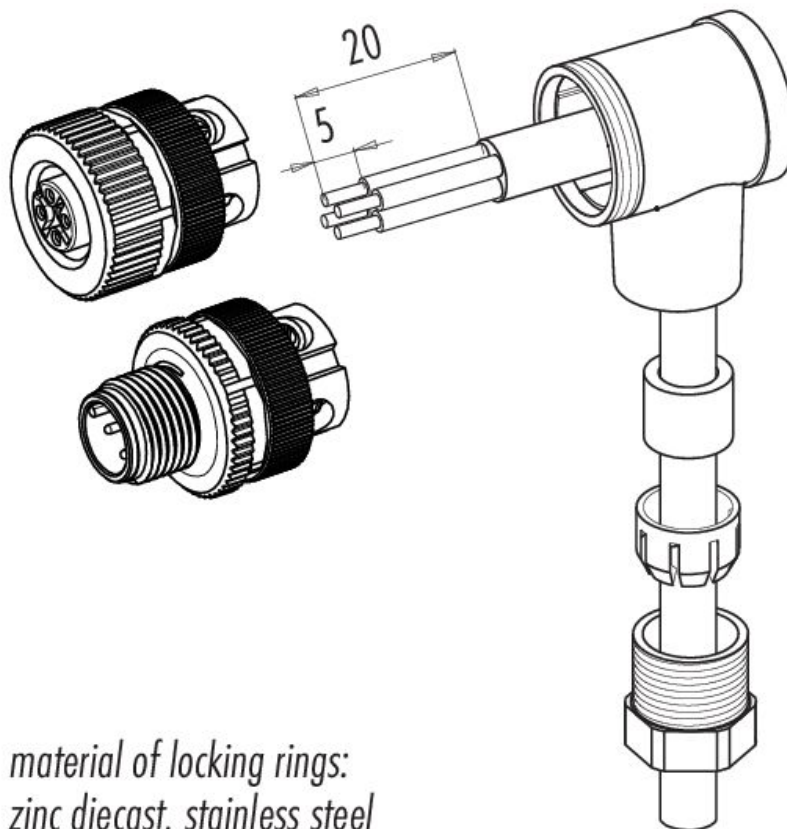
Classifications

ETIM 9.0	EC002635
----------	----------

Product data sheet
Automation technology - Data transmission

Product description	Female angled connector, 6.0-8.0 mm, screw clamp, IP67, UL
-	-
Area	M12-B series 715
Part no.	99 0430 165 04

Assembly instructions

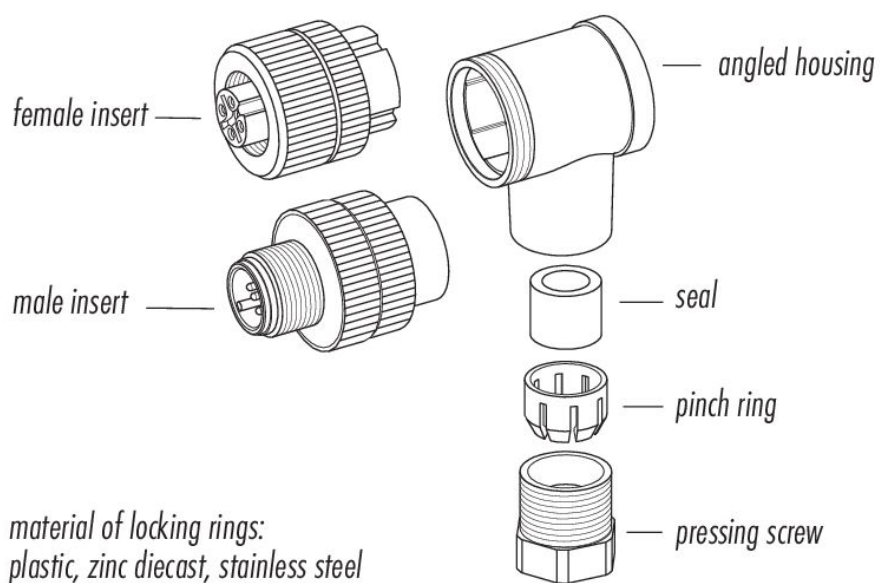


Product data sheet

Automation technology - Data transmission

Product description	Female angled connector, 6.0-8.0 mm, screw clamp, IP67, UL
Area	M12-B series 715
Part no.	99 0430 165 04

Component part drawing



Product description	Female angled connector, 6.0-8.0 mm, screw clamp, IP67, UL
-	-
Area	M12-B series 715
Part no.	99 0430 165 04

General Disclaim Notice

The connector must not be plugged or unplugged under load. Non-observance and improper use can result in personal injury.

The connectors have been developed for applications in plant engineering, control and electrical equipment construction. The user is responsible for checking whether the connectors can also be used in other areas of application.

To protect against unintentional opening of the connector, the thread between the housing and the connector head must be secured with a suitable cyanoacrylate adhesive when used in circuits with voltages dangerous to the touch. This does not apply to connectors used in SELV and PELV circuits according to IEC 61140 (EN 61140, VDE 0140-1).

Connectors which are used in circuits with voltages dangerous to the touch may only be installed and used by, or under the supervision of, persons with electrical engineering training, taking into account the applicable regulations and standards.

The user must take suitable safety precautions to ensure that the connector cannot be accidentally disconnected.

Plug connectors with enclosure protection IP67 and IP68 are not suitable for use under water. When used outdoors, the plug connectors must be protected separately against corrosion. For further information on the IP protection classes, please refer to the "Technical Information" download centre.

The plug connector is not suitable for mains voltages. Please observe the pollution degree and the overvoltage category. For further information, please refer to the download center "Technical Information".

The user must take appropriate safety precautions to ensure that the connector cannot be accidentally disconnected. In addition, the user must ensure that the cable is suitably secured.